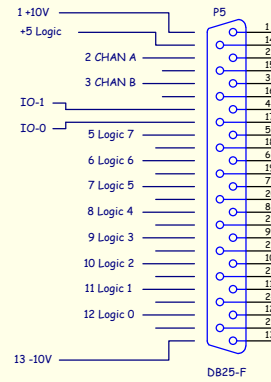


BitScope Pod

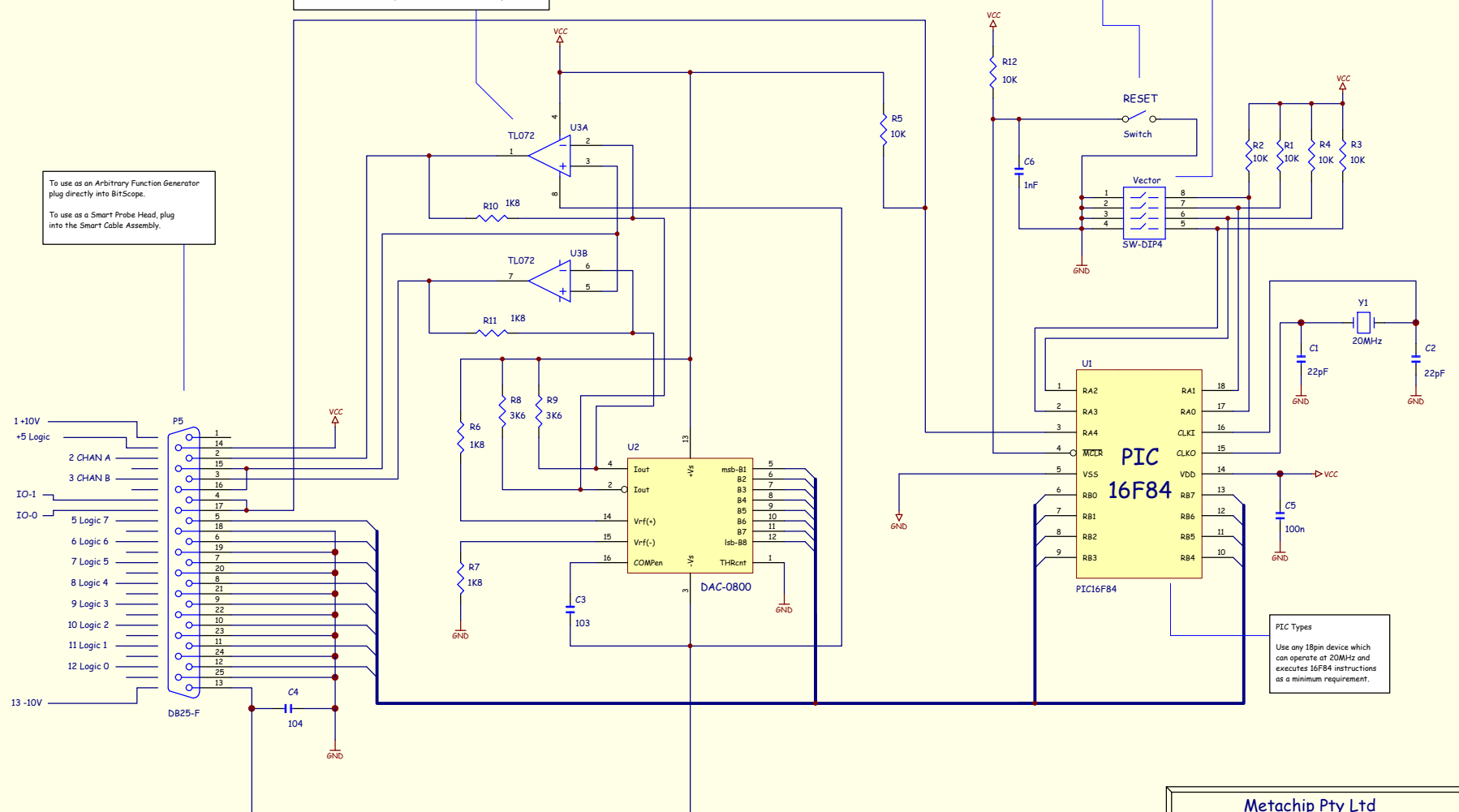


To use as an Arbitrary Function Generator plug directly into BitScope.
 To use as a Smart Probe Head, plug into the Smart Cable Assembly.

Mount OP AMP in 8 PIN 300mil IC Socket.
 Output with OP-AMP is 5.00V p-p.
 The Bandwidth is limited by the OP-AMP characteristics.
 Output without OP-AMP is 8.63V p-p.
 The Bandwidth is limited by the 3K6 resistor and load capacitance.

Momentary Membrane switch resets the PIC
 This will force WaveBank PIC to vector to a location selected by the DIP switch.

WaveBank Vector
 4 Bit binary vector selects which WaveLoop in WavePOD will be activated when the PIC is RESET



PIC Types
 Use any 18pin device which can operate at 20MHz and executes 16F84 instructions as a minimum requirement.

Metachip Pty Ltd			
Title	WavePOD Card	Sheet 1 of 1	
A3	Document Number	WavePOD-01	Rev 1
Date:	13-Mar-2002	E:\WINDOWS\NJT\WAVEPOD\WAVEPOD.SCH	