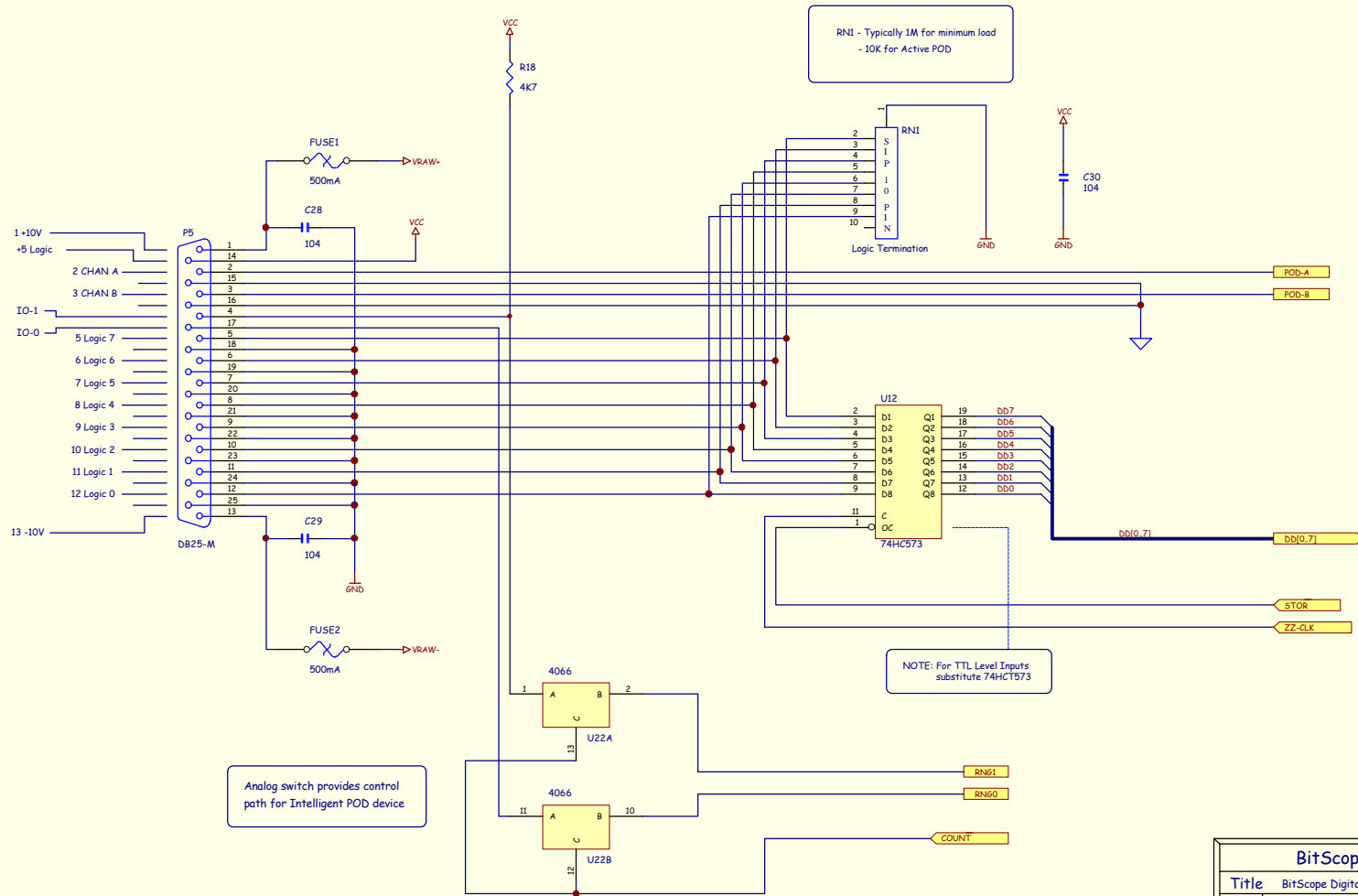


Logic Pod



Analog switch provides control path for Intelligent POD device

RN1 - Typically 1M for minimum load
- 10K for Active POD

NOTE: For TTL Level Inputs substitute 74HCT573

BitScope Designs		
Title	BitScope Digital Capture	Sheet 3 of 5
A3	Document Number PCB 11	Rev 1.1
Date:	23-Aug-2000	BS11-3.SCH